

PUZZLE

Symbols of the *season*

Many traditional decorations convey the meaning of Christmas.

Directions: Use the picture clues to the right to complete the words. Then write the boxed letters in order to complete 2 Corinthians 9:15, NIV.



shepherd's staff

_ _ _ _

tree that keeps its leaves

_ _ _ _ _ _ _ _

shines to lead the way

_ _ _ _

green for eternal life,
red for Jesus' blood

_ _ _ _ &
_ _ _ _ _ _

sounds to announce
good news

_ _ _ _

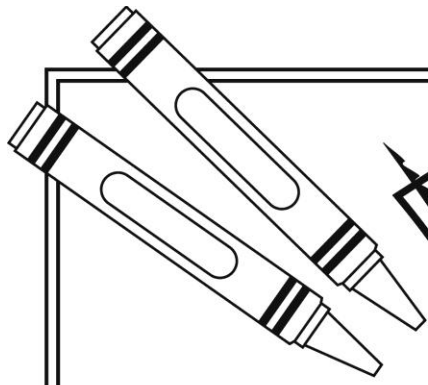
has no beginning or end

_ _ _ _ _

Th ks b to od fo is
indesc ba le gif !

2 CORINTHIANS 9:15, NIV

Answer: candy cane, evergreen, star, holly & berries, bell, wreath.
Thanks be to God for his indescribable gift! 2 Corinthians 9:15, NIV



PUZZLE

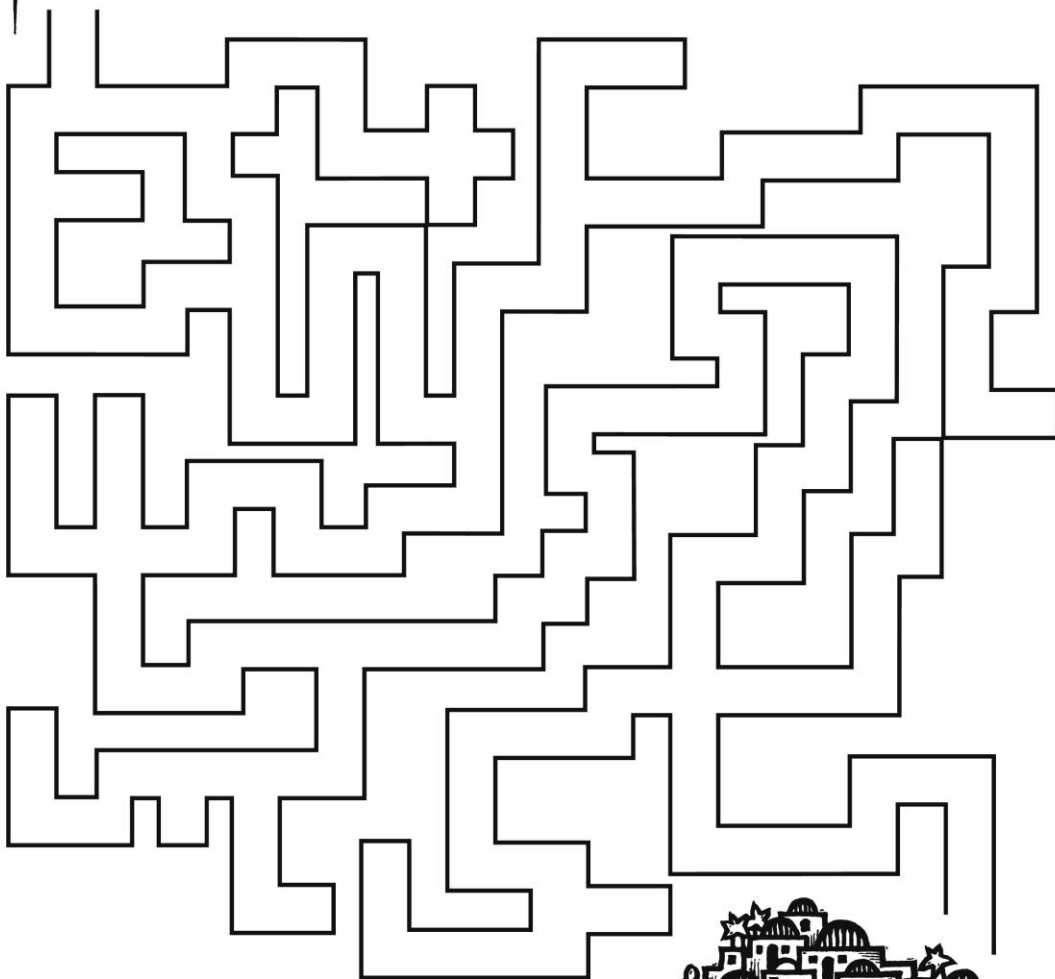
JOURNEY TO BETHLEHEM

In the Christmas story in Luke 2, an angel tells some shepherds to go see baby Jesus in Bethlehem.



START

Directions: Follow the maze to arrive in Bethlehem.

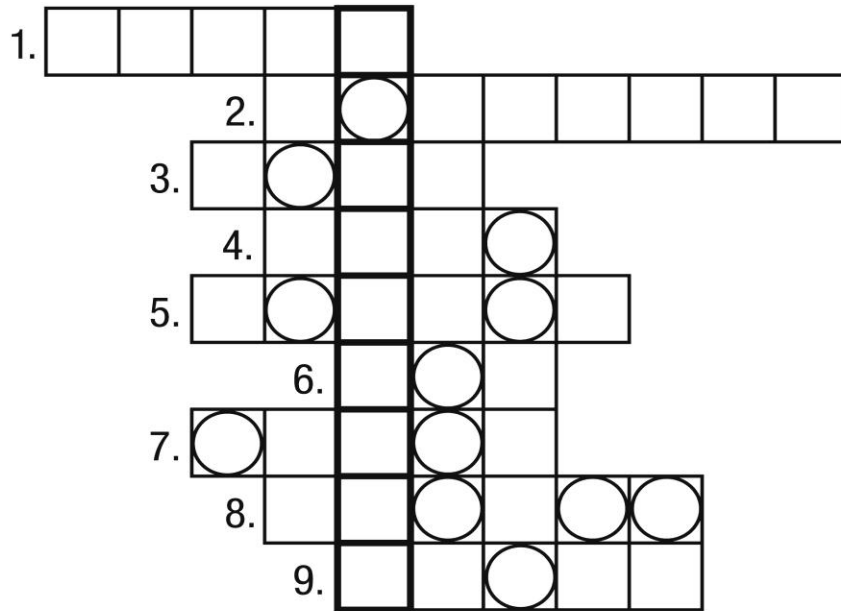


BETHLEHEM



Puzzle!

Use the clues to fill in the blanks. Then write the word from the boldface vertical column. Also unscramble the circled letters to reveal a seasonal phrase.



1. Carolers and instrumentalists make this
2. What happens at malls
3. The angel Gabriel appeared to her
4. You'll find this under a Christmas tree
5. He was a carpenter
6. Joseph had to pay this in Bethlehem
7. The "ship of the desert"
8. Cattle eat out of this
9. Shepherds tend this

Bold word: _____

Seasonal phrase: _____

Answers: music, shopping, Mary, gift, Joseph, tax, camel, manger, sheep; Christmas; peace on earth

Puzzle!

The word list contains the angel's Christmas message to the shepherds. Fit those words into the crossword squares. Then write them on the correct lines below to complete Luke 2:10-11, NIV.

Word list:

be	baby	that	today
do	been	this	afraid
all	born	town	Christ
for	find	will	cloths
has	good	bring	manger
joy	Lord	David	people
not	news	great	Savior
you	sign	lying	wrapped

“ _____ 24 _____ 26 _____ 1A _____ 5 _____ . I _____ 3A _____ 8 _____ 13 _____ 18
of _____ 4 _____ 27 _____ 16 _____ 9A _____ 1A _____ 2D _____ 7 _____ the _____ 15 _____ .
_____ 12 _____ in the _____ 28 _____ of _____ 23 _____ a _____ 20 _____ 22 _____ 1D
_____ 3D _____ to _____ 8 _____ ; he is _____ 19 _____ the _____ 10 _____ .” Luke 2:10-11, NIV

Answer: “Do not be afraid. I bring you good news of great joy that will be for all the people. Today in the town of David a Savior has been born to you; he is Christ the Lord.” Luke 2:10-11, NIV.